

# S2770RT/S3370RT/S3970RT

## COMPACT ROUGH TERRAIN SCISSOR LIFTS



- Compact diesel rough terrain scissor lifts
- Excellent rough terrain performance
- Hydraulic outriggers with automatic levelling
- Roll-out deck extension
- Ideal for outdoor work in confined spaces

 **snorkel**<sup>™</sup>  
[www.snorkellifts.com](http://www.snorkellifts.com)

# COMPACT ROUGH TERRAIN SCISSOR LIFTS

# S2770RT/ S3370RT/S3970RT

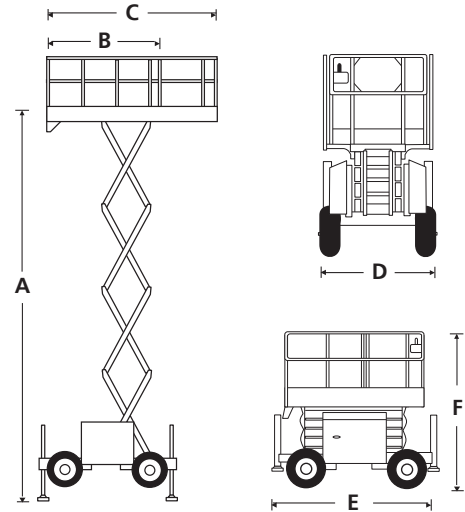
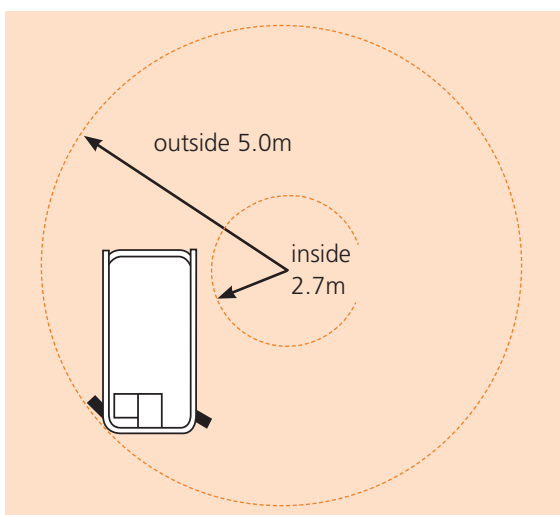
DIMENSIONS	S2770RT	S3370RT	S3970RT
Max. working height	10.1m	12.0m	13.8m
Max. platform height (A)	8.1m	10.0m	11.8m
Platform size (stowed) (B)	1.6m x 2.8m	1.6m x 2.8m	1.6m x 2.8m
Platform size (extended) (C)	1.6m x 4.0m	1.6m x 4.0m	1.6m x 4.0m
Extension deck length	1.2m	1.2m	1.2m
Overall width (D)	1.8m	1.8m	1.8m
Overall length (E)	3.4m	3.4m	3.4m
Stowed height (F)	2.61m	2.7m	2.95m
Min. height (guardrails folded)	1.83m	2.0m	2.13m
Ground clearance	330mm	330mm	330mm

PERFORMANCE			
Platform capacity (SWL)	580kg	454kg	350kg
Max. drive height	8.1m	10.0m	11.8m
Max. wind speed	12.5m/s	12.5m/s	12.5m/s
Max. drive speed (stowed)	4.5km/h	4.5km/h	4.5km/h
Max. drive speed (elevated)	0.5km/h	0.3km/h	0.3km/h
Raise/lower time	26/30 sec	50/60 sec	50/60 sec
Gradeability	35%	35%	35%
Max. outrigger levelling, front to rear	6°	6°	6°
Max. outrigger levelling, side to side	10°	10°	10°
Inside turning radius	2.7m	2.7m	2.7m
Outside turning radius	5.0m	5.0m	5.0m
Tires	27 x 10.5 - 15 foam filled, non-marking		
Controls	proportional joystick		
Drive system	4-wheel drive		

POWER	
Power source	Kubota D-902 water-cooled diesel 22.5hp Tier 4 Final

WEIGHT			
Weight	2,886kg	3,620kg	3,790kg

## TURNING RADIUS



## STANDARD FEATURES

- 4-wheel drive
- 4 hydraulic outriggers with automatic levelling
- Roll-out deck extension
- Non-marking foam filled tires
- Proportional controls
- Power line to platform
- Platform overload system
- Drive motion alarm
- Descent alarm
- Manual lowering valve
- Flashing amber light (x2)
- Oscillating axle
- Fold-down guardrails
- Hour meter & on-board diagnostics display
- Dual lanyard attachment points
- 2 year parts & labor, 5 year structural warranty
- ANSI compliant

## OPTIONS

- Special paint colors
- Cold weather package
- Hydraulic generator 110V 2kW
- Nylon spreader pads (set of 4)
- Environmental hydraulic oil
- Turf/Flotation tires (S2770RT & S3370RT only)

**snorkel** [www.snorkellifts.com](http://www.snorkellifts.com)

P.O. Box 1160  
St. Joseph, MO 64502-1160, USA  
Tel: 1 (785) 989-3000  
Toll-free: 1 (800) 255-0317  
Fax: 1 (785) 989-3070  
Email: sales.usa@snorkellifts.com